



The Original Outdoor Patio Heater

Manufactured by

INFRARED DYNAMICS, INC.

Yorba Linda, CA 92886 U.S.A.

Tel: (714) 572-4050 Fax: (714) 572-6093

Toll-Free: (888) 317-5255

www.infradyne.com

MODEL A270
INFRARED PATIO HEATERS
CSA 5.90 U.S.
For Outdoor Operation Only



FEATURES:

- | | |
|----------------------------------|------------------------------------|
| Completely Self-contained | 100% Safety Shutoff Control |
| Rain Protected | 40,000 BTUH Input Rating |
| Wind Resistant | Constant Pilot |
| Attractive Design | Propane Gas |

Each Sunglo A270 heater casts a 12 to 15 foot (3.5 meter to 4.5 meter) circle of sun-like radiant warmth-outdoors. Properly filled, a 5 gallon propane tank will operate this heater for approximately 10 hours.

FOR YOUR SAFETY

If you smell gas:

1. Shut off gas to the appliance.
2. Extinguish any open flame.
3. If odor continues, immediately call your gas supplier.

FOR YOUR SAFETY

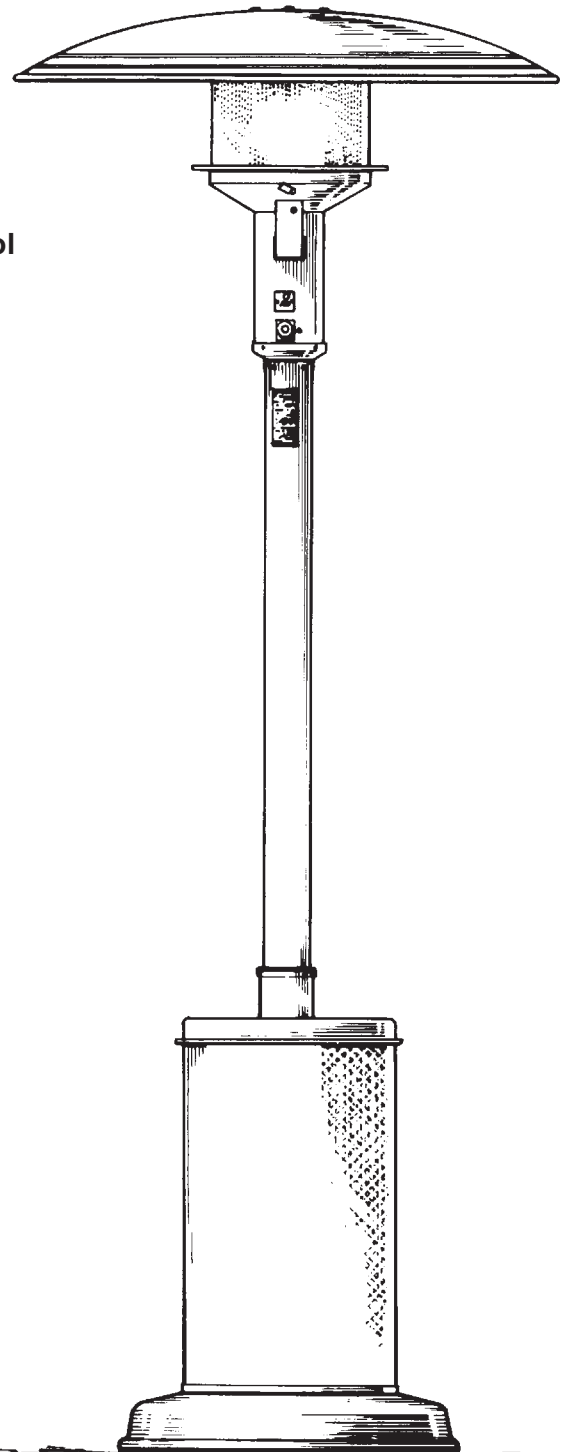
Do not store gasoline or other flammable vapors and liquids in the vicinity of this or any other appliance.

WARNING: FOR OUTDOOR USE ONLY!

WARNING: Improper installation, adjustment, alteration, service or maintenance can cause property damage, injury or death. Read the installation, operating and maintenance instructions thoroughly before installing or servicing this equipment.

PROP. 65 WARNING!!!

If not installed, operated and maintained in accordance with manufacturer's instructions, this product could expose you to substances in the fuel or from combustion which can cause death or serious illness, and which are known to the State of California to cause cancer, birth defects or reproductive harm.



Retain these instructions for future reference.

Important: The installer or seller must leave these instructions with the consumer.

Installation, Operation and Maintenance Instructions for the Sunglo Model A270 Gas-fired Patio Heater

INSTALLATION

Important Safety Rules:

1. Children and adults should be alert to high surface temperature of areas above the post when operating this heater.
2. Children should be carefully supervised when they are in the area of the heater.
3. **NEVER** hang anything including clothes or other flammable items on the heater.
4. **DO NOT** operate this heater unless it is fully assembled with reflector in place.
5. Installation and repair should be done by a qualified service person. The heater should be inspected before use and at least annually by a qualified service person. More frequent cleaning may be required as necessary. It is imperative that control compartment, burners and circulating air passages of the heater be kept clean.

Prior to assembling your Model A270 propane heater, the following must be reviewed. Compliance with the following should yield satisfactory heater operation. This instruction should be retained for future reference. The installation must conform with local codes or authority having jurisdictions.

1. The Model A270 gas-fired infrared patio heater is intended for heating residential and nonresidential outdoor spaces. The installation must conform with local codes or, in the absence of local codes, with the National Fuel Gas Code, ANSI Z223.1.

In Canada, heater installation must conform with local building codes or, in the absence of local codes, with the current National Standards of Canada CAN/CGA-B 149.2.

2. Adequate clearance around air openings into the combustion chamber, clearances from combustible materials, provisions for accessibility and for combustion and ventilating air supply must be maintained at all times when the heater is operating.
3. Proper clearance from combustible materials must be maintained at all times. The minimum clearances are as follows:

Minimum Clearance from Combustibles

Side	24" (61 cm)
Rear	24" (61 cm)
Ceiling	18" (46 cm)
Below	84" (84 cm)

Combustible materials are considered to be wood, compressed paper, plant fibers, plastic, Plexiglas or other materials capable of being ignited and burned. Such materials shall be considered combustible even though flame-proofed, fire-retardant treated or plastered. Additional clearance may be required for glass, painted surfaces and other materials which may be damaged by radiant or convection heat.

4. Heaters must be placed on a level and adequate footing and be readily accessible. The heater may be permanently attached to the floor utilizing the Floor Clamp Kit (Part No. 27020) available from the manufacturer.
5. The gas manifold supply pressure must be regulated at 11" water column utilizing a U/L listed regulator. Any replacement regulator must be U/L listed. The minimum inlet pressure to the regulator from the tank is 5 PSI and maximum pressure is 150 PSI.
6. The heater must be inspected before each use, and at least annually by a qualified service person.
 - a. The appliance area must be kept clear and free of combustible materials, gasoline and other flammable vapors and liquids.
 - b. Gas jets and burner must be kept clear of dirt and cobwebs. Flow of combustion and ventilation air through the perforated portions of the heater must not be obstructed.
 - c. All gas connections should be checked for leaks utilizing a soap solution. Never use a flame for this purpose.
 - d. The flame pattern at the emitter grid should be visually checked whenever heater is operated (see figure 1.). If flames extend more than ½ inch beyond surface of the emitter grid or black soot is accumulating on the emitter grid or reflector, the heater should be turned off immediately. The heater should not be operated again until repairs are made.
 - e. Any cleaning agent used on the heater should be of a non-combustible and non-corrosive nature.
 - f. The stainless steel emitter grid normally does not require cleaning and should **NEVER** be painted. The reflector may be cleaned, but never painted. Other portions of the heater may be re-coated only with high temperature (1,200°F) paint.
7. The hose assembly shall be properly located out of pathways where people may trip over it. The hose must be protected from contact with hot or sharp surfaces both during use and while in

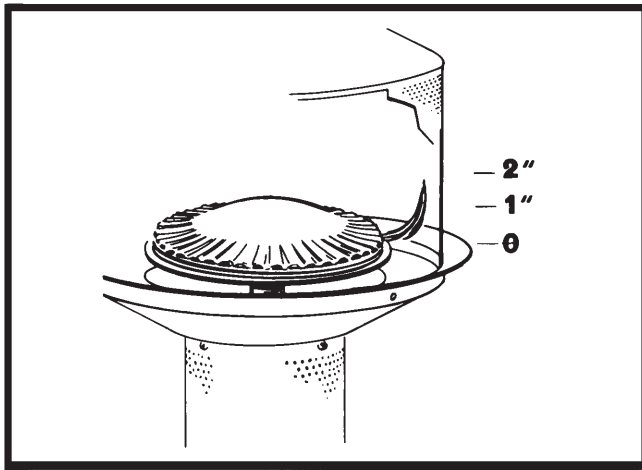


Figure 1. Normal Flame Position

storage. The hose assembly shall be visually inspected prior to each use of the heater. If excessive abrasion or wear is evident, or the hose is cut, it must be replaced prior to operating the heater. The replacement hose assembly, Part #80011-3 may be obtained from manufacturer or sales representative. See parts list.

8. **DO NOT** use any pressure regulator or hose assembly other than those supplied with the appliance. Replacement pressure regulator and hose assembly must be those specified by Infrared Dynamics. Replacement parts may be obtained from the manufacturer or your local sales representative.
9. Installation and use of this heater must conform with local codes or, in the absence of local codes, with the Standards for Storage and Handling of Liquefied Petroleum Gases, ANSI/NFPA 58.
10. Heater is designed to operate with a standard five (5) gallon propane tank with quick connect coupling (Connection No. 600) only. The propane cylinder must (1) be provided with a shutoff valve terminating in an LP-gas supply cylinder valve outlet specified as applicable for a Connection No. 600 in the Compressed Gas Association's Limited Standard Cylinder Valve Outlet Connection for Propane-Small Valve Series or a combination LP-gas cylinder valve and quick-disconnect assembly complying with 1.16.5-c and a safety relief device having a direct communication with the vapor space of the cylinder; (2) the cylinder supply system must be arranged for vapor withdrawal; and (3) the cylinder used must include a collar to protect the cylinder valve. The LP-gas supply cylinder must be constructed and marked in accordance with the specifications for LP-gas cylinders of the U.S. Department of Transportation.

11. Tank connector fittings must be maintained in good condition. A leak test should be performed with soapy water whenever a new tank connection is made. **NEVER** use a match to test for leaks. The replacement tank adapter fitting Part #90019 may be obtained from the manufacturer or sales representative. See parts list.
12. Propane tank must be turned off whenever the heater is not in use. When the heater is to be stored indoors, the connection between the propane cylinder and the heater must be disconnected and stored in accordance with Chapter 5 of the Standard for Storage and Handling of Liquefied Gases, ANSI/NFPA 58.
13. The A270 Sunglo Heater has been designed with several safety features. These include 100% safety shutoff control, elevated heating element, weighted base, and tank quick connect coupling. Any modification to the heater not described in the installation instructions may compromise the safety of this appliance. Of special concern is the following:
 - (1) DO NOT shorten post length;
 - (2) DO NOT bypass thermocouple safety;
 - (3) DO NOT operate heater without a reflector; and (4) DO NOT remove filler from weighted base. Clothing or other flammable materials should not be hung from the heater, or placed on or near the heater. The area above the post may be extremely hot. Direct contact with these metal surfaces should be avoided in order to prevent burns or clothing ignition.

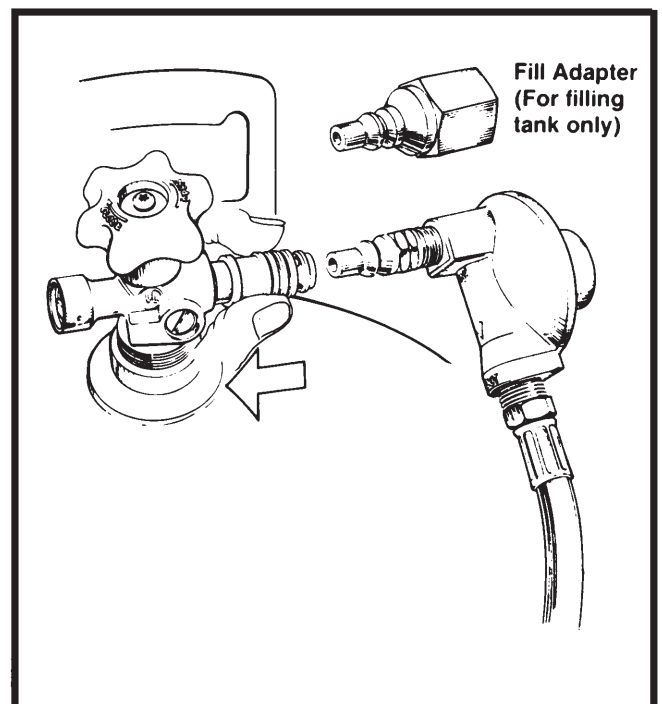
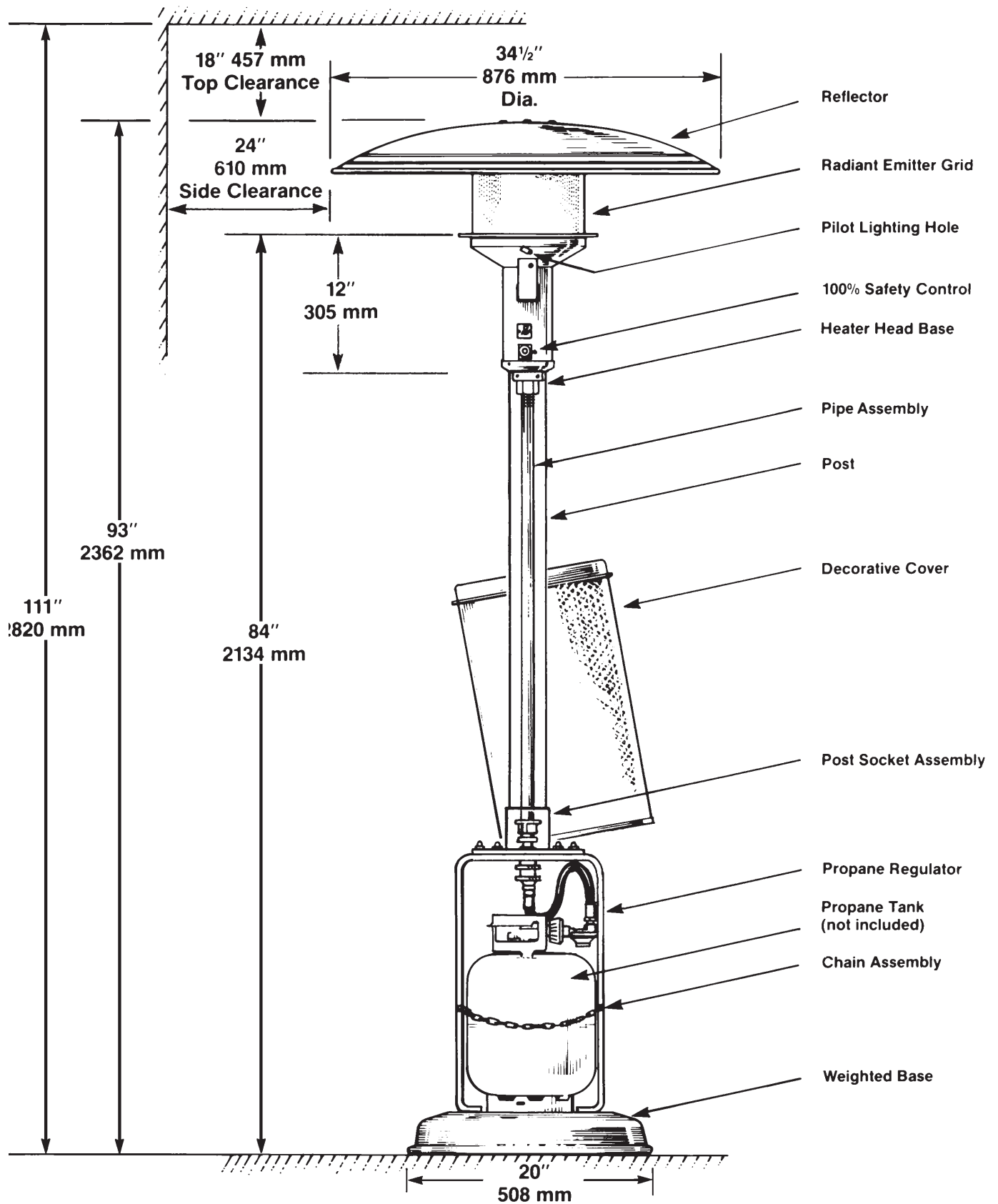


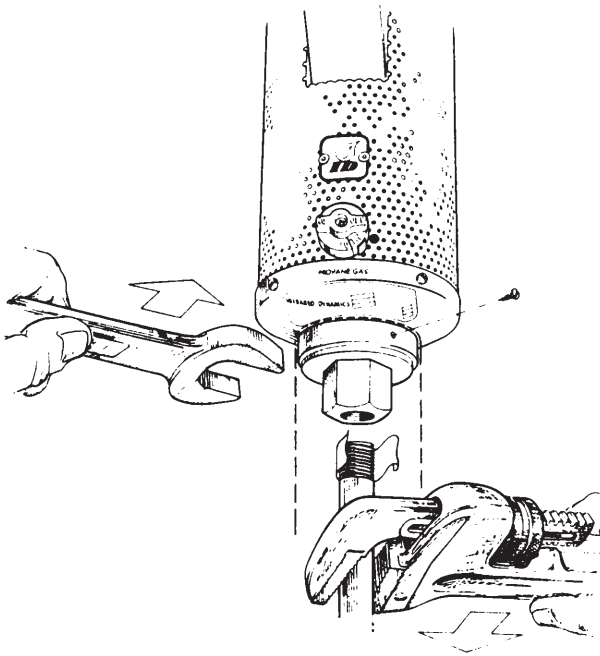
Figure 2. Quick Connect Coupling.



MODEL A270
INFRARED PATIO HEATERS
CSA 5.90 U.S.
For Outdoor Operation Only



HEATER ASSEMBLY MODEL A270



Step 2.

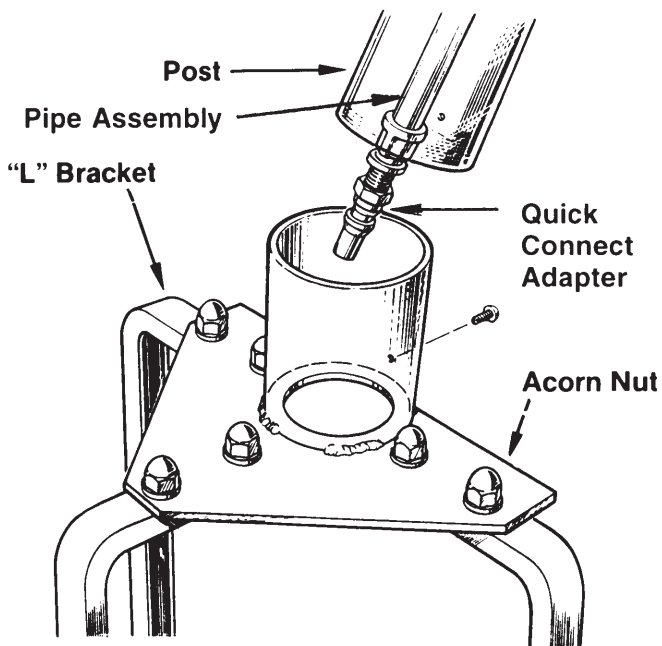
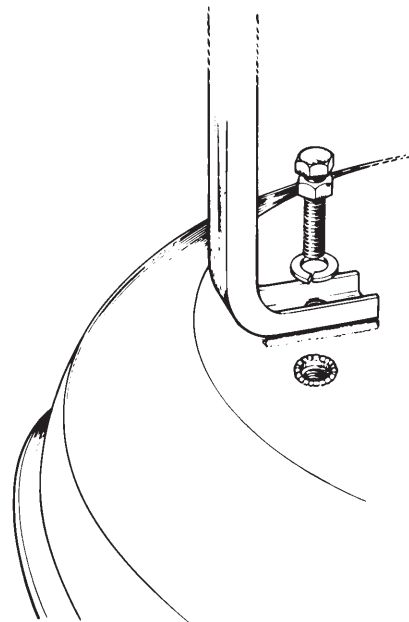
- Secure "L" brackets to heater base with hex head bolts, spacer nuts, and lock washers provided.
- Secure socket assembly to "L" brackets as shown below using the square head bolts, lock washers, and acorn nuts provided.
- Install chain kit onto "L" bracket using holes provided.
- Slide Decorative cover down over post socket.

Step 1.

- Remove Pipe Assembly from Post Package and thread pipe end onto heater head base. Use 2 pipe wrenches at least 12" long to tighten pipe to heater base. If teflon tape is not provided, gas pipe sealant should be used at this joint.
- Slide Pipe Assembly with heater attached into the top end of the post and secure heater to post with the four screws provided.

NOTE: Post label should face front.

WARNING: Remove any dust cap or paper covering which may block the flow of gas.

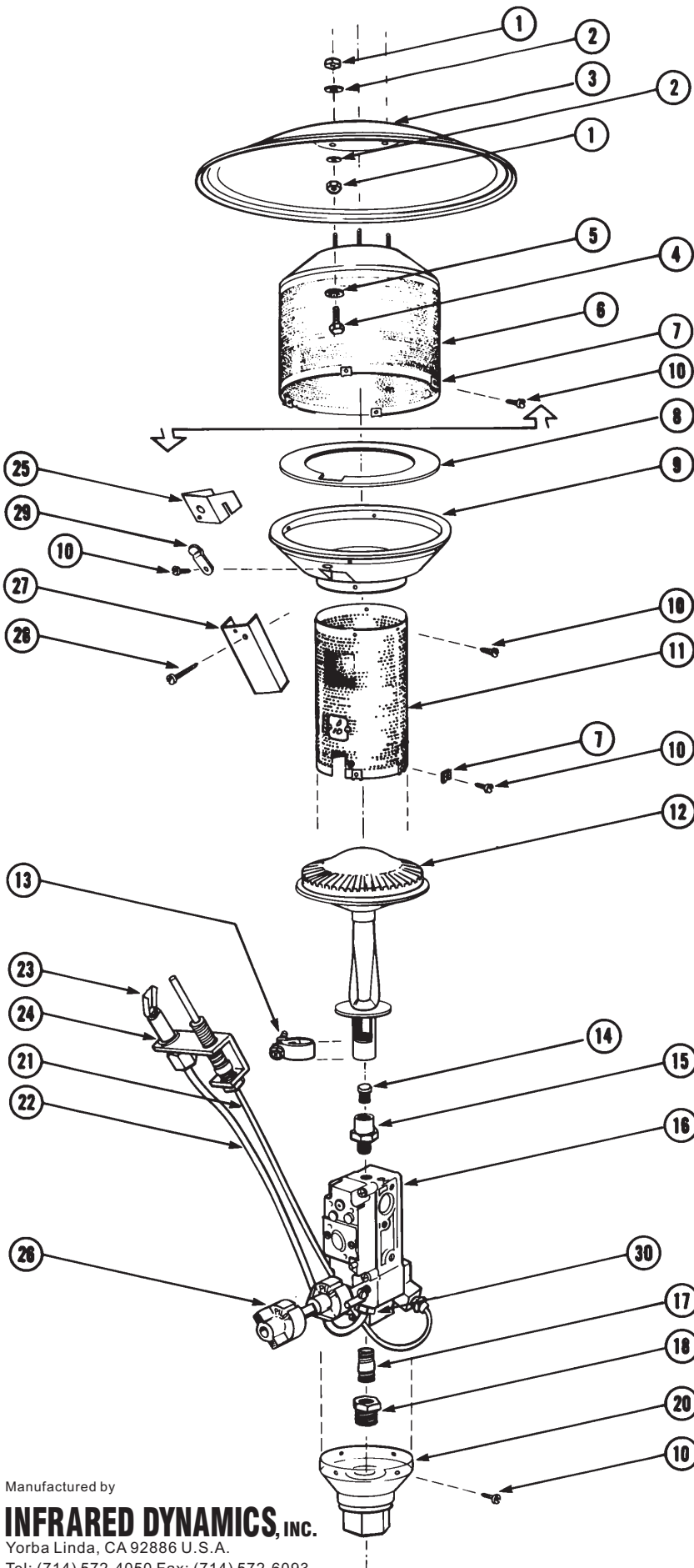


Step 3.

- Slide post down into socket with pipe extending through hole in the bottom of the socket.
- Slide Decorative cover up around post.
- Attach the hose to pipe assembly with the quick-connect adapter.
- Secure reflector to top of heater head. Use flat washer above and below reflector holes.
- Set tank into place and secure with safety chain.
- Connect regulator to tank.



Replacement Parts List



Item	Part No.	Description
1	70017	Nut, ¼-20 Hex SS
2	70024	Washer, ¼ SAE SS
3	10261	Reflector, PH
4	70006	Bolt, ¼ x ¾ Hex SS
5	70033	Washer, ¼ Inter SS
6	27006	Assy, PH Emitter Grid
7	70025-2	Clip, Stainless Steel
8	30225	Shield, PH heat
9	30202	Pan, PH Head
10	70005	Screw, #8 x ½ SP SS
11	30204-1	Cylinder, PH Perf (7000)
12	27007	Assy, PH Burner Pltd
13	70030	Clamp, 1"
14	35001-31	Orifice, #31 DS (Nat)
	35001-49	Orifice, #49 DS (Propane)
15	35012	Adapter, Orifice ⅜
16	90002-3	Control, 7000 MRLC Nat
	90003-3	Control, 7000 ERLC Nat-24V
	90004-3	Control, 7000 MLC-Propane
17	80005-1	Nipple, ⅜ x 1½ Blk
18	80025	Reducing Bushing, ⅜ x ½
20	27018-1	Assy, PH H Base
	27018-2	Assy, 24V PH Head Base
21	90031	Thermocouple T46518
22	80031	Tubing, AL-¼ x 14L
23	90021	Pilot, Natural #27919
	90022	Pilot, Propane #27920
24	90015	Natural Pilot Orifice
	90016	Propane Pilot Orifice
25	30258	PH Pilot Shield
26	27025	Assy, 7000 Handle
27	30213	Channel, PH Pilot
28	70020	Screw, #10 x 1¼ SS
29	30299	Cover, PH Pilot Hole
30	80026	Tubing Fastener-¼"

Manufactured by

INFRARED DYNAMICS, INC.

Yorba Linda, CA 92886 U.S.A.

Tel: (714) 572-4050 Fax: (714) 572-6093

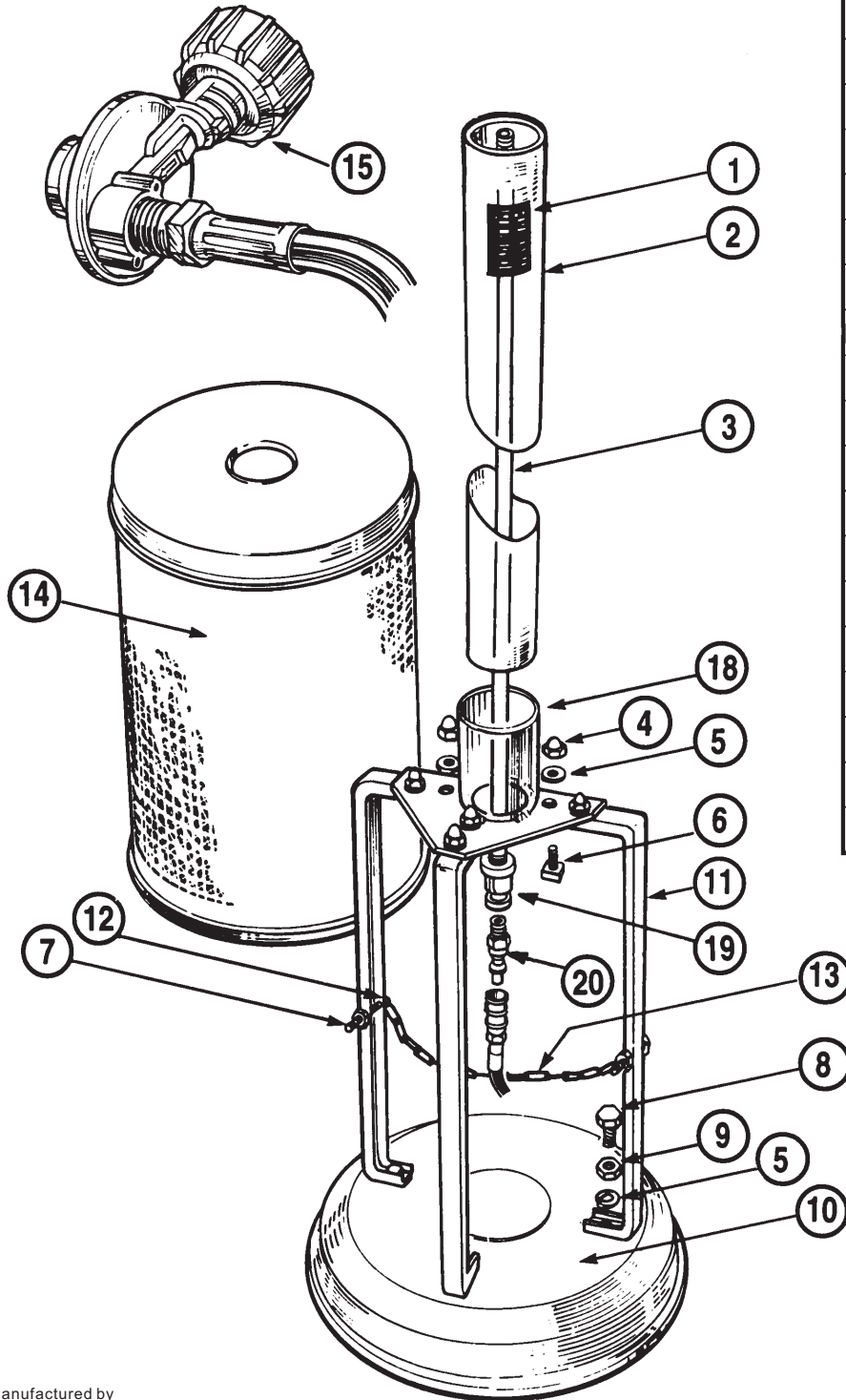
Toll-Free: (888) 317-5255

www.infradyne.com

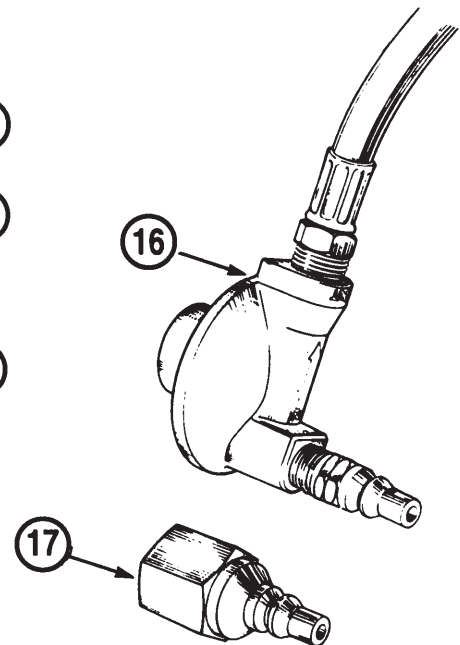
Sunglo® The Original Outdoor Patio Heater

A270 Parts List

Optional QCCI Adapter



Item	Part No.	Description
1	60008-1	Lighting Instructions
2	30280	Post, A270 — 45" L
3	80006-4	Pipe, 42" Black
4	70011	Nut, 3/8 Acorn
5	70013	Washer, 3/8 Lock
6	70007	Bolt, 3/8 x 3/4 L-SQ
7	70028	Eyebolt, 3/16s2 w/Nut
8	70012	Bolt, 3/8-16 x 1 1/4
9	70059	Nut, 3/8
10	10264-4	Assy, A270 Base Sun
11	300279-5	Univ "L" Bracket (24)
12	70029	Hook, 1 1/2" S
13	70027	A270 Chain
14	27033	Assy, A270 Dec Cover
15	90017-4	Assy, Reg/Hose QCC1
16	90017-5	Assy, Reg/Hose QD
17	90018	Tank Fill Adapter
18	27002-4	Assy, A270 Socket
19	80085	Reducer, 1/2 x 1/4"
20	90078	Adapter, #250



Manufactured by

INFRARED DYNAMICS, INC.

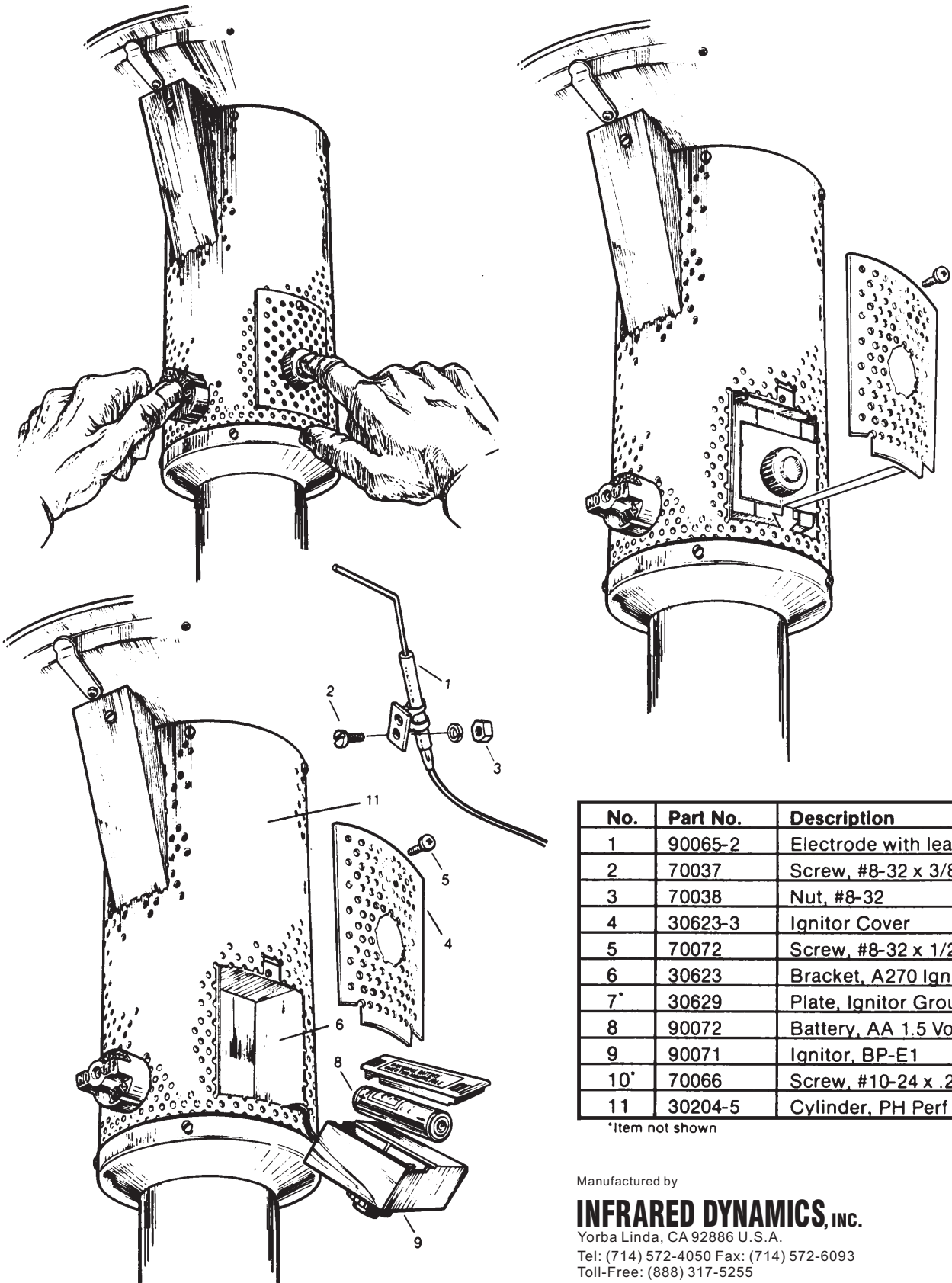
Yorba Linda, CA 92886 U.S.A.

Tel: (714) 572-4050 Fax: (714) 572-6093

Toll-Free: (888) 317-5255

www.infradyne.com

Optional Spark Ignition System



No.	Part No.	Description
1	90065-2	Electrode with lead
2	70037	Screw, #8-32 x 3/8
3	70038	Nut, #8-32
4	30623-3	Ignitor Cover
5	70072	Screw, #8-32 x 1/2 SS
6	30623	Bracket, A270 Ignitor
7*	30629	Plate, Ignitor Ground
8	90072	Battery, AA 1.5 Volt
9	90071	Ignitor, BP-E1
10*	70066	Screw, #10-24 x .250L
11	30204-5	Cylinder, PH Perf SS

*Item not shown

Manufactured by

INFRARED DYNAMICS, INC.

Yorba Linda, CA 92886 U.S.A.

Tel: (714) 572-4050 Fax: (714) 572-6093

Toll-Free: (888) 317-5255

www.infradyne.com



Sunglo®

The Original
Outdoor Patio Heater

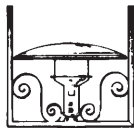
SUNGLO PATIO HEATERS



Part No.	Description	Shipping Weight
10201-13	PSA265 Heater — Complete	44#
10275-1	PSA265 Head Only	15#
10265-1	PSA265 Post Only	21#
10261	Reflector Only	8#



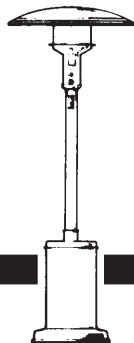
Part No.	Description	Shipping Weight
10202-24	A242 Heater — Complete	109#
10277-1	A242 Head Only	15#
10267-1	A242 Post Only	19#
10264-3	A242 Base Only	60#
10261	Reflector Only	8#



Part No.	Description	Shipping Weight
10203-13	A244 Heater — Complete	55#
10280-1	A244 Head Only	15#
10256-1	A244 Frame Only	32#
10261	Reflector Only	8#



Part No.	Description	Shipping Weight
10204-13	A244V Heater — Complete	55#
10281-1	A244V Head Only	15#
10257-1	A244V Frame Only	32#
10261	Reflector Only	8#



Part No.	Description	Shipping Weight
10205-24	A270 Heater — Complete	105#
10286-1	A270 Head/Dec Cover Only	27#
10269-1	A270 Post Only	10#
10264-4	A270 Base Only	60#
10261	Reflector Only	8#



Part No.	Description	Shipping Weight
10206-13	PSA265V Heater — Complete	44#
10282-1	PSA265V Head Only	15#
10265-1	PSA265 Post Only	21#
10261	Reflector Only	8#

TEST FIRING HEATER

Test fire heater, following the lighting instructions on heater post. Leak test all gas connections with soapy water. Soap bubbles indicate gas leakage. Do **NOT** use a match to test for gas leaks.

WARNING: White smoke may appear around the emitter grid during the first minute of the initial firing.

TROUBLE SHOOTING

Problem	Possible Causes
Pilot won't light	<ul style="list-style-type: none">• Air in gas line• Low gas pressure• Gas line turned "Off"• Blockage in gas line
Pilot won't stay lit	<ul style="list-style-type: none">• Bad thermocouple• Corrosion of thermocouple contact• Bad Valve• Wind exceeding 10 mph
Main burner won't light	<ul style="list-style-type: none">• No power• Low gas pressure• Blockage in orifice• Manual valve not in "On" position

Limited Warranty and Service

Heaters carry a 90-day commercial or one-year residential factory warranty. All heaters are stamped with the date of manufacture. In most cases, your dealer or sales representative will handle the warranty procedure for you. If there is no sales representative available, the heater head and regulator may be returned to the factory for repair. Warranty is limited to repair of heaters at the factory or replacement parts. Any work or repair of this heater must be performed by qualified service personnel. Infrared Dynamics will not be liable for any other expense to the customer, except as stated above.

To Light Pilot

Rotate control knob to "Pilot" position. Firmly depress knob for 30 seconds while lighting pilot through $\frac{1}{2}$ " dia. lighting hole above control. Pilot should remain lit.

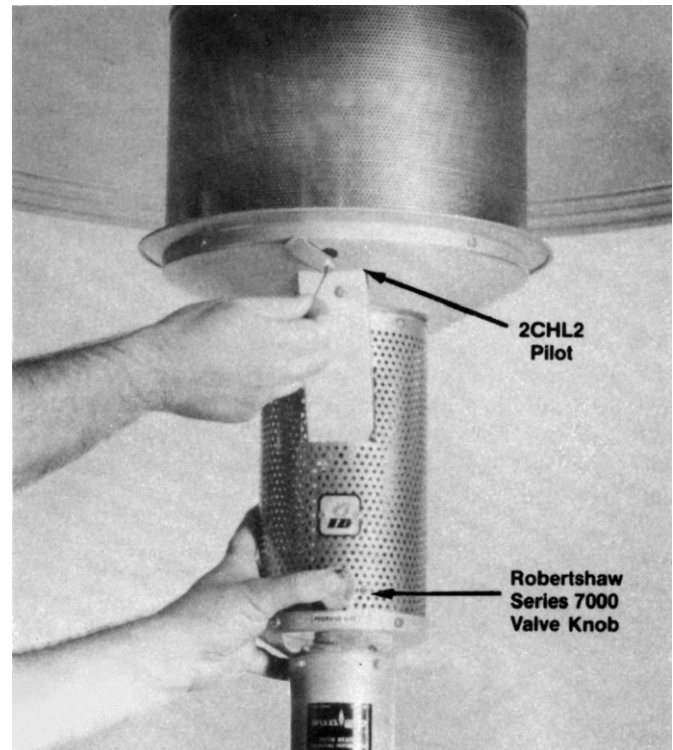
NOTE: Allow 1½ minutes to purge air through pilot after connection with a new tank of propane gas.

To Turn Heater On

Turn control knob to "On" position.

To Turn Heater and Pilot "Off"

Turn knob to "Pilot" position. Depress slightly and turn to "Off" position. Wait 5 minutes after complete shutoff of heater before relighting pilot. Turn "Off" gas tank when heater is not in use.



Manufactured by

INFRARED DYNAMICS, INC.

Yorba Linda, CA 92886 U.S.A.

Tel: (714) 572-4050 Fax: (714) 572-6093

Toll-Free: (888) 317-5255

www.infradyne.com