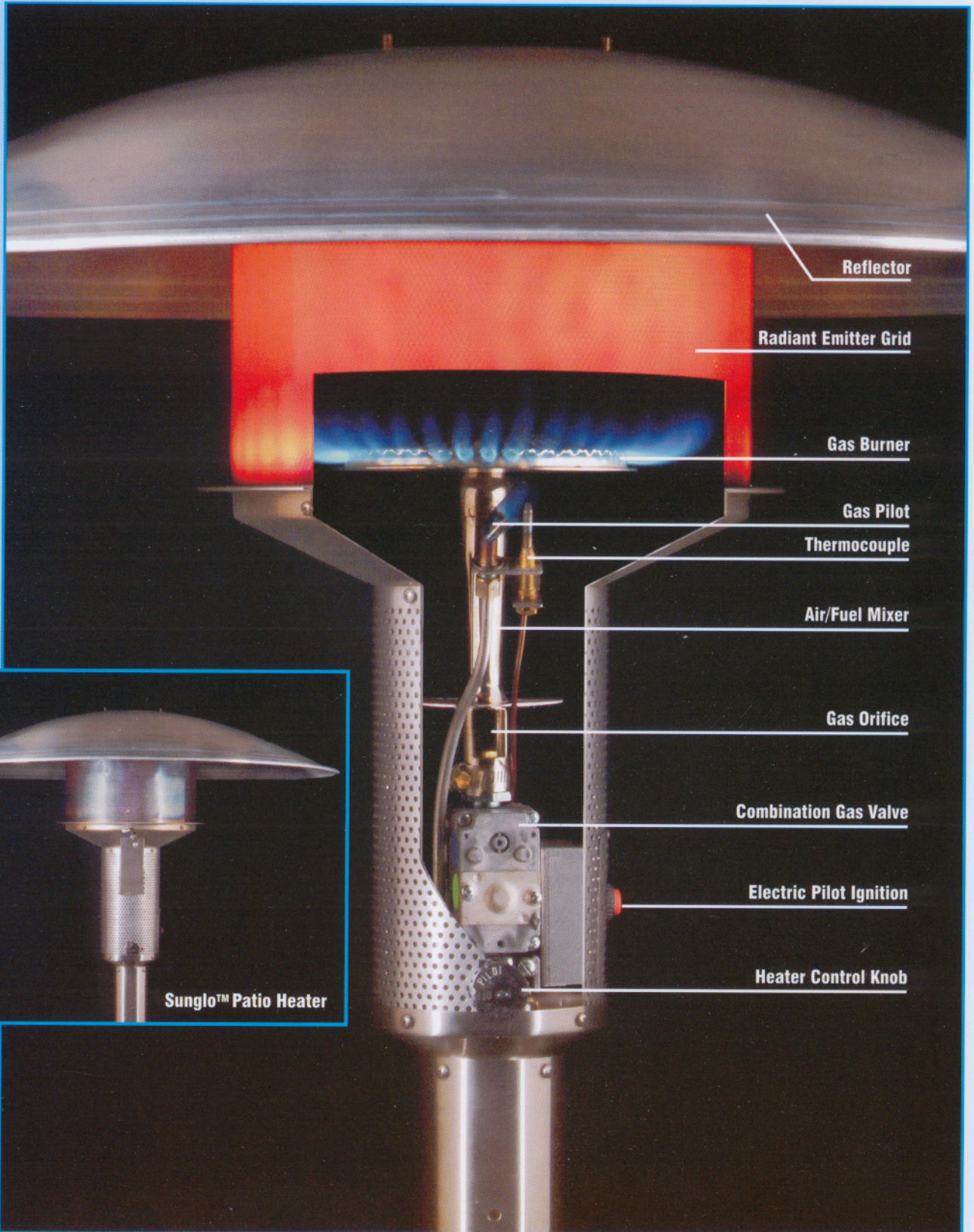




The Original Outdoor Patio Heater

GAS FIRED INFRARED HEAT GENERATION



Reflector

Radiant Emitter Grid

Gas Burner

Gas Pilot

Thermocouple

Air/Fuel Mixer

Gas Orifice

Combination Gas Valve

Electric Pilot Ignition

Heater Control Knob

Sunglo™ Patio Heater



The Sunglo™ Patio Heater was designed by Edwin J. Cowan in 1961. In developing the design of the “patio heater”, Mr. Cowan strove to achieve a balance between comfort and efficiency. The design would have to allow people to gather around the heater in both comfort and safety. The concept of a circular domed-shaped radiant heater mounted on a raised pole achieved the balance Mr. Cowan was looking for in effectively broadcasting radiant warmth over a wide area.

At first people could not believe that a gas-fired heater would have much effect warming people outdoors. The key was the infrared or radiant heat that transmitted warmth directly to people and objects without first heating the air. This same warmth you receive from a fireplace or a potbelly stove. People were now able to enjoy dining outdoors even when the night became a little chilly. As the popularity of the patio heater concept grew people found more uses for it. Patio heaters were seen at sporting events, fashionable resorts, weddings and grand openings. They kept many Hollywood stars warm between film takes.

As more people experienced the benefits of outdoor heating, the popularity grew in both the United States and Canada. In the 1980s Infrared Dynamics took the outdoor heating concept to Europe where the patio heater rapidly gained widespread acceptance under the trade name of *California Sun*™.

Eventually similar heaters started to appear. European manufacturers tried their hand at imitating the patio heater design, and more recently we have seen near copies come in from Asia. Today you can find low cost “patio heaters” at warehouse stores and even in your local supermarket.



Our commitment to building an efficient and quality heater has remained the same over the past 40 years. Infrared Dynamics has made few changes to the original Sunglo™ design over the years. We have added convenient features like our push button ignition. In spite of the focus of so many manufacturers on lowering cost, Infrared Dynamics continues to make its high quality heater, so popular with commercial users and discerning home owners, without compromise.



Manufactured by

INFRARED DYNAMICS, INC.

3830 Prospect Ave., Yorba Linda, CA 92886
Tel: (714) 572-4050 Fax: (714) 572-6093
or Toll Free 1-888-317-5255
Website: www.infradyne.com

Distributed by

Tropic Heating ☐
1317 E. Firwood Ct. ☐
Orange, CA 92866 ☐
949 GOT HEAT ☐
Fax 714 639 0109

Sunglo® is a Registered Trademark of Infrared Dynamics, Inc.

All Rights Reserved By Infrared Dynamics, Inc. © 2003

Printed in USA